



ECOBOOST

RESIDENTIAL PRESSURE BOOSTING SYSTEM

ECOBOOST.

Economic, reliable water power.

Ecoboost is a small built-in pressure unit for domestic water supply and small irrigation systems. It is made of fully automatic booster sets, assembled with single phased pumps and digitally controlled by Genyo plus or an electromechanical switch.

The systems are equipped with pressure vessels based on the chosen model and they are designed to fit many applications, such as: residential pressure boosting, lawn sprinkling and washing, and pumping of non-aggressive liquids in industrial plants.

Product	Type of system	Typical application
<p>ECOBOOST BASIC Single pump pressure units for domestic water supply and small irrigation systems with pressure vessel and electromechanical switch.</p>	<p>Constant water supply with pressure drop compensation</p>	<p>Single or two family houses or small irrigation</p>
<p>ECOBOOST PLUS Single pump pressure units for domestic water supply and small irrigation systems sold in kit with/without pressure vessel and digital controlled by Genyo plus.</p>	<p>Constant water supply with dry-running, overload and anti-leakage protections</p>	<p>Single/two family houses or agriculture with unstable water supply. OEM Industry pressure pumping systems</p>
<p>ECOBOOST PLUS SCUBA/ SCUBA DRY Single pump unit for domestic water supply and intelligent tank systems pressurisation.</p>	<p>Constant water supply with dry-running, fast cycling and overcurrent protection in a flexible and space saving solution</p>	<p>Underground harvesting tanks, single/two family houses where space is at a premium</p>



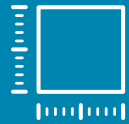
User-friendly intelligent interface.

Cut-in and cut-out pressure can be easily set through a user-friendly interface.



Compact footprint.

The system is designed to fit in many different operating environments.



Integrated pressure vessel and NRV.

Integrated pressure vessel for pressure drop compensation and stainless steel non-return valve.



Dry running protection.

Protects the pump against dry running conditions caused by lack of water/pressure on suction side.



Anti-leakage protection.

Protects the pump from frequent start/stops, which can be caused by a damaged pressure vessel or leakages on the pipeline.

Residential Booster ECOBOOST BASIC

Head up to 50 m

Flow up to 4 m³/h

Power up to 1,1kW

Adjustable start / stop pressure

Electro mechanical pressure switch

1ph power supply

Integrated NRV

Self priming pump

Pre-assembled



Residential Booster ECOBOOST PLUS



Head up to 50 m

Flow up to 4 m³/h

Power up to 1,1kW

Adjustable start / stop pressure

Genyo plus control
Integrated protections (dry run,
overcurrent, anti cycling)

1ph power supply

With integrated pressure vessel

Integrated NRV

Self priming pump

Pre-assembled

Residential Booster ECOBOOST DRY

Head up to 54 m

Flow up to 4 m³/h

Power up to 1,1kW

Adjustable start / stop pressure

Genyo plus control
Integrated protections (dry run,
overcurrent, anti cycling)

1ph power supply

Integrated pressure vessel

Integrated NRV

Kit version

ECOBOOST Dry unit is a pressure boosting system designed to satisfy noiseless surface applications especially when space and noise are key points. The premium stainless steel construction of the Scuba pump, combined with the intelligent Genyo plus pressure switch are the perfect combination to provide water in a silent, reliable and energy saving solution.



Double use: submerged and surface

Fits narrow spaces

Noiseless application

Full stainless steel package

Gardening

ECOBOOST basic plus combined with a surface pump provides a gardening irrigation system with the appropriate pressure.

Drinking water supply

ECOBOOST DRY combined with SCUBA is a single pump stainless steel system able to provide water pressure silently and in narrow spaces.



Technical specifications and dimensional drawings.

ECOBOOST BASIC

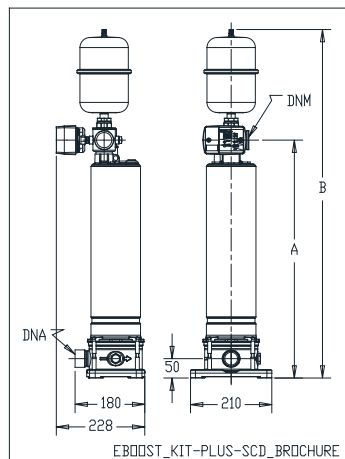
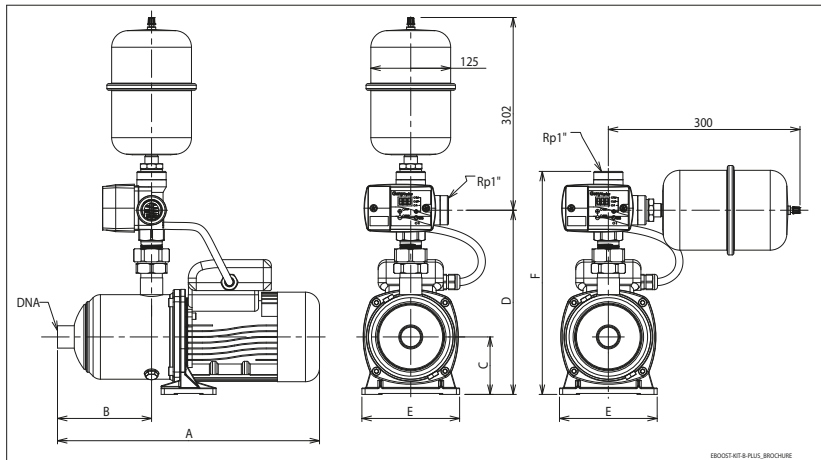
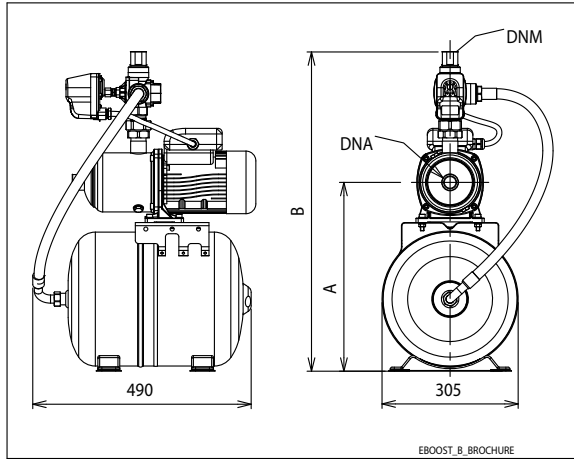
Type	Motor Rated		Input	Flow	Pressure			Approximative Overall Dimension		Weight
	power		Current	rate	rate	DNA	DNM	A	B	
	kW	HP	A	l/min	bar			mm	mm	
ECOBOOST BASIC 1HM06P07M	0,75	1	4,3	11,7÷40	5,9÷3,0	Rp 1"	Rp 1"	423	716	41
ECOBOOST BASIC 3HM03P05M	0,55	0,75	2,9	20÷70	3,1÷1,3	Rp 1"	Rp 1"	423	716	39
ECOBOOST BASIC 3HM04P05M	0,55	0,75	3,3	20÷70	4,0÷1,6	Rp 1"	Rp 1"	423	716	43
ECOBOOST BASIC 3HM05P07M	0,75	1	4,6	20÷70	5,2÷2,2	Rp 1"1/4	Rp 1"	423	716	43
ECOBOOST BASIC 3HM06P09M	0,9	1,2	5,3	20÷70	6,2÷2,7	Rp1"1/4	Rp 1"	502	757	41
ECOBOOST BASIC 5HM04P07M	0,75	1	4,8	40÷120	3,9÷1,3	Rp1"1/4	Rp 1"	502	757	43
ECOBOOST BASIC 5HM05P09M	0,9	1,2	5,7	40÷120	4,8÷1,6	Rp 1"	Rp 1"	423	716	41
ECOBOOST BASIC 5HM06P11M	1,1	1,5	6,8	40÷120	5,9÷2,0	Rp 1"	Rp 1"	423	716	39
ECOBOOST BASIC BGM3	0,55	0,75	3,0	10÷50	3÷1,4	Rp 1"	Rp 1"	423	716	43
ECOBOOST BASIC BGM5	0,55	0,75	4,3	20÷60	3,5÷1,8	Rp 1"1/4	Rp 1"	423	716	43
ECOBOOST BASIC BGM7	0,75	1	5,0	20÷60	3,7÷2,5	Rp1"1/4	Rp 1"	502	757	41
ECOBOOST BASIC BGM11	1,1	1,5	6,5	20÷70	4,5÷2,9	Rp1"1/4	Rp 1"	502	757	43

ECOBOOST PLUS

Type	Motor Rated		Input	Flow	Pressure	Approximative Overall Dimension						Weight	
	power		Current	rate	rate	DNA	A	B	C	D	E		F
	kW	HP	A	l/min	bar		mm	mm	mm	mm	mm		mm
KIT ECOBOOST PLUS 1HM06P07M	0,75	1	4,3	11,7÷40	5,9÷3,0	Rp 1"	410	147	90	282	153	343	12
KIT ECOBOOST PLUS 3HM03P05M	0,55	0,75	2,9	20÷70	3,1÷1,3	Rp 1"	336	87	90	282	153	343	10
KIT ECOBOOST PLUS 3HM04P05M	0,55	0,75	3,3	20÷70	4,0÷1,6	Rp 1"	356	107	90	282	153	343	10
KIT ECOBOOST PLUS 3HM05P07M	0,75	1	4,6	20÷70	5,2÷2,2	Rp 1"	390	127	90	282	153	343	13
KIT ECOBOOST PLUS 3HM06P09M	0,9	1,2	5,3	20÷70	6,2÷2,7	Rp 1"	410	147	90	282	153	343	14
KIT ECOBOOST PLUS 5HM04P07M	0,75	1	4,8	40÷120	3,9÷1,3	Rp 1"1/4	372	109	90	282	153	343	13
KIT ECOBOOST PLUS 5HM05P09M	0,9	1,2	5,7	40÷120	4,8÷1,6	Rp 1"1/4	392	129	90	282	153	343	14
KIT ECOBOOST PLUS 5HM06P11M	1,1	1,5	6,8	40÷120	5,9÷2,0	Rp 1"1/4	457	149	90	282	155	343	17
KIT ECOBOOST PLUS BGM3	0,55	0,75	3,0	10÷50	3÷1,4	Rp1"1/4	366	69	169	323	198	384	12
KIT ECOBOOST PLUS BGM5	0,55	0,75	4,3	20÷60	3,5÷1,8	Rp1"1/4	380	69	169	323	198	384	14
KIT ECOBOOST PLUS BGM7	0,75	1	5,0	20÷60	3,7÷2,5	Rp1"1/4	380	69	169	323	198	384	14
KIT ECOBOOST PLUS BGM9	0,9	1,2	5,6	20÷65	4,0÷2,8	Rp1"1/4	380	69	169	323	198	384	14
KIT ECOBOOST PLUS BGM11	1,1	1,5	6,5	20÷70	4,5÷2,9	Rp1"1/4	425	69	169	323	198	384	18

ECOBOOST DRY

Type	Motor Rated		Input	Flow	Pressure			Approximative Overall Dimension		Weight
	power		Current	rate	rate	DNA	DNM	A	B	
	kW	HP	A	l/min	bar			mm	mm	
KIT ECOBOOST PLUS 1SCD7/07/5	0,75	1	4,9	11,7÷40	6,9÷3,7	Rp 1"1/4	Rp 1"1/4	614	900	19,5
KIT ECOBOOST PLUS 3SCD4/05/5	0,55	0,75	4,1	20÷70	4,0÷1,7	Rp 1"1/4	Rp 1"1/4	534	820	17,1
KIT ECOBOOST PLUS 5SCD4/07/5	0,75	1	5,0	40÷120	3,9÷1,3	Rp 1"1/4	Rp 1"1/4	554	840	18,6
KIT ECOBOOST PLUS 8SCD3/09/5	0,9	1,2	5,7	67÷180	2,7÷1,4	Rp 1"1/4	Rp 1"1/4	549	835	18,4



Xylem |'zīləm|

- 1) The tissue in plants that brings water upward from the roots;
- 2) a leading global water technology company.

We're a global team unified in a common purpose: creating advanced technology solutions to the world's water challenges. Developing new technologies that will improve the way water is used, conserved, and re-used in the future is central to our work. Our products and services move, treat, analyze, monitor and return water to the environment, in public utility, industrial, residential and commercial building services settings. Xylem also provides a leading portfolio of smart metering, network technologies and advanced analytics solutions for water, electric and gas utilities. In more than 150 countries, we have strong, long-standing relationships with customers who know us for our powerful combination of leading product brands and applications expertise with a strong focus on developing comprehensive, sustainable solutions.

For more information on how Xylem can help you, go to www.xylem.com



www.xylem.com/lowara

Xylem reserves the right to make modification without prior notice.
Lowara and Xylem are trademarks of Xylem Inc. or one of its subsidiaries.
© 2022 Xylem, Inc. - P02/22