



UV Systems for Corrosive Media

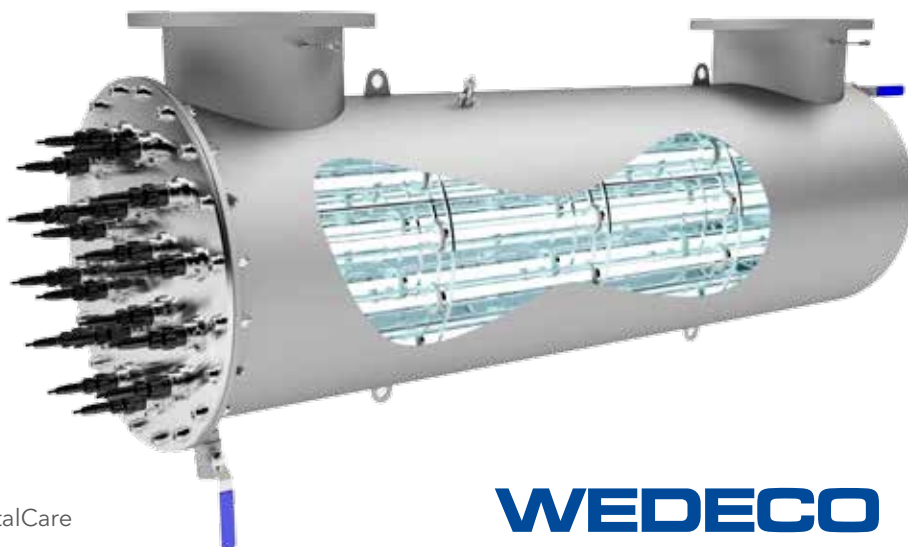
LET'S PROTECT AGAINST PATHOGENS AND SALTWATER CORROSION

Xylem offers long disinfection experience and a broad portfolio of UV solutions specially for corrosive media like saltwater. Backed by a huge, global reference base in various applications including aquaculture, aquariums and thermal springs, and systems with validated disinfection performance, Xylem is the right partner for your water treatment needs.

Take account of benefits with WEDECO non-corrosive UV disinfection solutions

- **Wide range of products** suitable for water intake, recirculation and effluent, selected and designed by Xylem experts just for your particular needs, no matter what water type and space available.
- **Safe and reliable disinfection** guaranteed by validations/approval according to industry leading authorities (NVI, US EPA).
- **Easy integration into water treatment schemes** by Xylem's experienced design and commissioning support and easy uplink to superior monitoring and control systems.
- **Simplicity of operation** Equipped with long-lasting UV lamps and easy-to-use monitoring and control device for lowest operator involvement.
- **Low life-cycle costs** Highest energy savings with sensor-based UV dose control and high-efficiency UV lamp technology, and reduced and easy maintenance effort.
- **Worry-free operation** with lasting components and Xylem's comprehensive TotalCare aftermarket and service capabilities.

The WEDECO BX UV system made of Duplex stainless steel allows for safe and energy-efficient disinfection of high flows of saltwater or other corrosive media



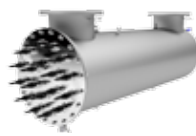
WEDECO
a xylem brand

WEDECO UV Systems for Corrosive Media

A/B PE Series



BX Series



Quadron 3000



TAK Smart



| | A/B PE Series | BX Series | Quadron 3000 | TAK Smart |
|--|---|---|--|--|
| Main Application | Intake water Recirculation System | Intake water Recirculation System | Well-boats Applications with space constraints | Effluent Intake water |
| Maximum Flow | 375 m ³ /h | 530 m ³ /h (HDPE) 2,120 m ³ /h (Duplex SS) | 4,100 m ³ /h | 250 m ³ /h (HDPE) 1,030 m ³ /h (concrete) |
| Minimum Water UVT ¹ | 80 % | 80 % | 65 % | 45 % |
| Water Temperature | 5 - 40 °C | 5 - 45 °C | 5 - 30 °C | 5 - 45 °C |
| No. of Lamps (Lamp Type) | 1 - 9 (Spektrotherm®) | 6 - 32 (Ecoray®) | 5 (Mulitray™) | 2 - 32 (Ecoray®) |
| Guaranteed Lamp Life | 10,000 h | 14,000 h | 8,000 h | 14,000 h |
| Reactor/Channel Material | HDPE | HDPE / Duplex SS | Duplex SS | HDPE / concrete |
| Maximum Operating Pressure | 6 bar | 6 bar (HDPE) 10 bar (Duplex SS) | 10 bar | barometric pressure (open channel) |
| Flange Type Reactor Shape | DN loose flange U (B) or Z (A) shape | DN/ANSI U shape | DN 600 /ANSI 24 " in-line | DN/ANSI loose flange in-line |
| UVDGM ² Validation | | ✓ | ✓ | ✓ |
| NVI ³ Approval | ✓ | ✓ | ✓ | |
| Cleaning Device | ✓ Optional manual rinser | ✓ Optional manual rinser | ✓ Automatic wiping system | ✓ Optional automatic wiping system |
| Calibrated UV Intensity Monitoring | ✓ | ✓ | ✓ | ✓ |
| OptiDose™ sensor-based UV dose control | | ✓ option | ✓ option | ✓ option |
| SCADA Connection | | ✓ option | ✓ option | ✓ option |

¹ at 254 nm, 1cm ² validated according to the U.S. Environmental Protection Agency's UV Disinfection Guidance Manual (US EPA's UVDGM, 2006) ³ Norwegian Veterinary Institute



WEDECO is a brand of Xylem, whose 12,500 employees are addressing the most complex issues in the global water market.

www.xyleminc.com

Xylem Services GmbH
Boschstr. 4 - 14
32051 Herford, Germany
Phone +49 5221 930 0
Fax +49 5221 930 222
www.wedeco.com