

E7570

Table of Contents

1 Introduction.....	2
2 Product Description.....	3
2.1 The data plate.....	3
2.2 Product denomination.....	3
3 Parts.....	5
3.1 Turbine E7570.....	5

1 Introduction

Purpose of this manual

The purpose of this manual is to provide necessary information on spare parts and accessories order.

Disclaimer

Always use genuine Flygt parts. The use of other spare parts or accessories can invalidate any claims for warranty or compensation. Xylem does not take any responsibility for damages that are caused by the use of non-original parts. For more information, contact your local sales and service representative.

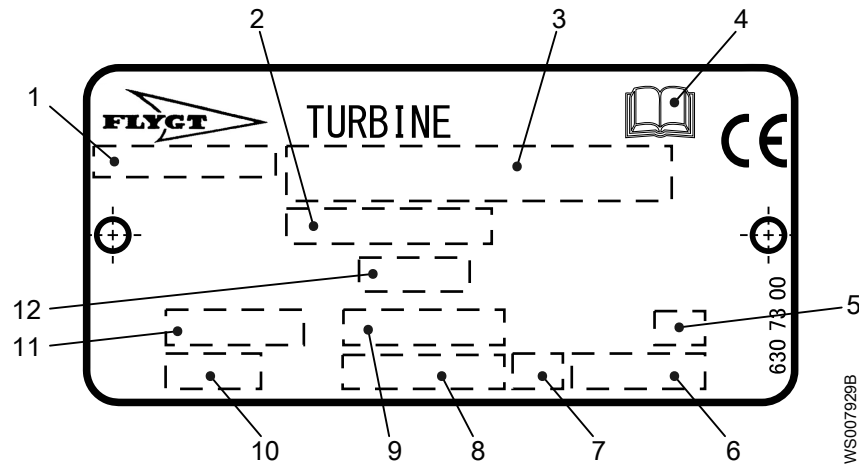
Data for ordering spare parts

The following information is needed for spare part orders:

- Serial number of the product
- Part number
- Quantity of bulk material, see * in tables

2 Product Description

2.1 The data plate



1. Country of origin
2. Product number
3. Serial number
4. Read the care and maintenance instructions
5. Blade angle
6. Product weight: generator + turbine + gear (if applicable)
7. Direction of rotation: runner/generator
8. Rated speed
9. Blade angle interval
10. Turbine housing
11. Turbine column diameter
12. Runner code

2.2 Product denomination

Reading instruction

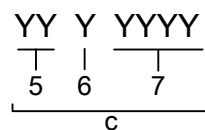
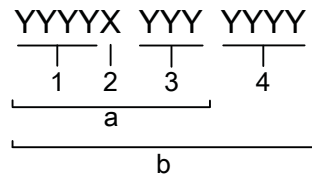
In this section, code characters are illustrated accordingly:

X = letter

Y = digit

The different types of codes are marked up with a, b, and c. Code parameters are marked up with numbers.

Codes and parameters



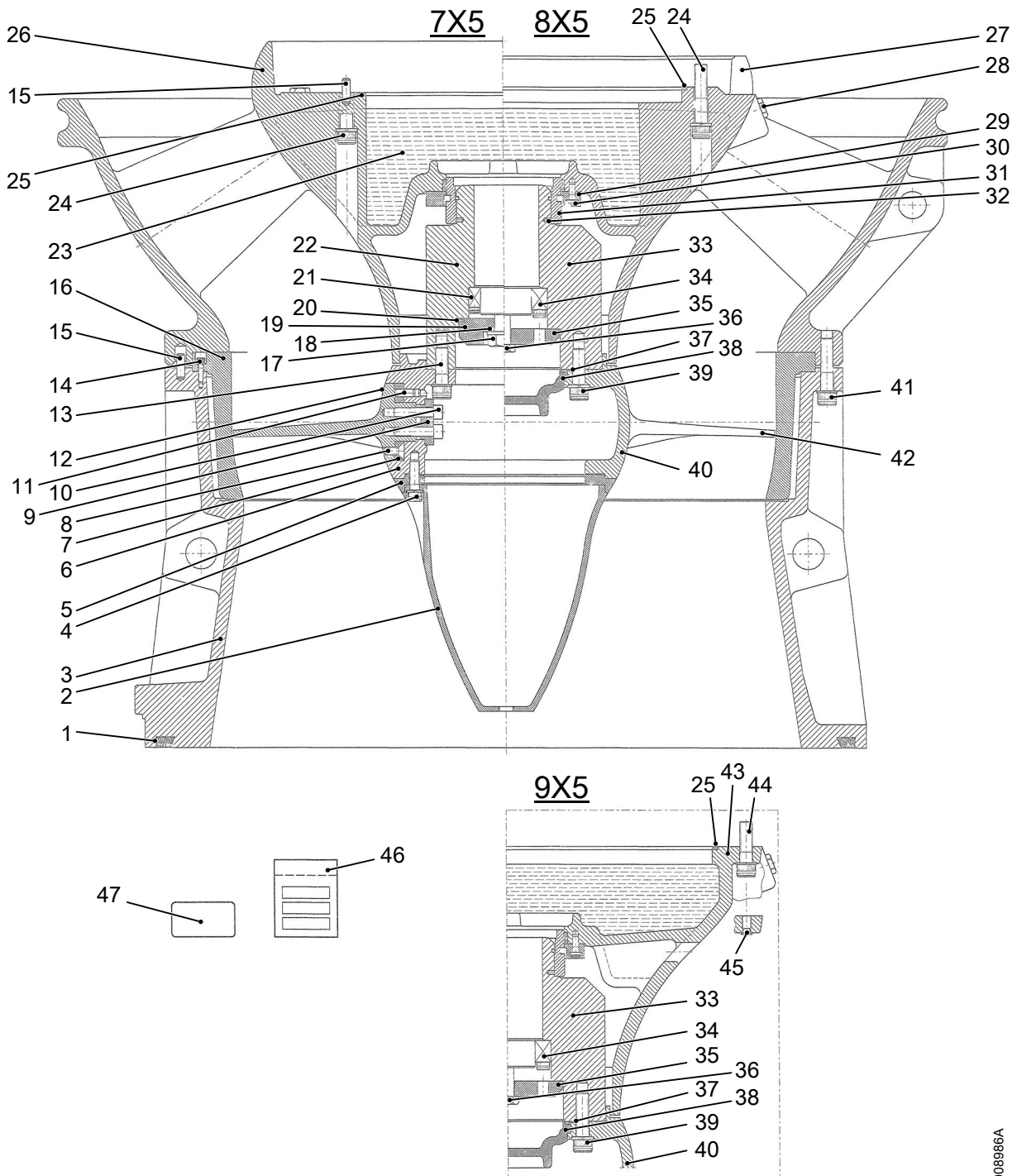
WS007962A

Type of Callout	Number	Indication
Type of code	a	Product code
	b	Product number
	c	Serial number

Type of Callout	Number	Indication
Parameter	1	Turbine unit
	2	"R" (only for adjustable-blade hydroturbines)
	3	Generator unit
	4	Sequence number
	5	Production year
	6	Production cycle
	7	Running number

3 Parts

3.1 Turbine E7570



WS006966A

Item	Denomination	Part No.	Qty.
1	G-ring	82 83 49	1
2	Casing	464 73 00	1
3	Outlet cone	464 82 01	1

Item	Denomination	Part No.	Qty.
4	Screw	82 00 71	4
	Lock washer	82 50 17	4
5	Supporting washer	464 74 00	1
6	Propeller hub	For generator units 7X5, runner with four blades	511 92 00
		For generator units 7X5, runner with five blades	511 93 00
7	Supporting washer	For blade angle 8°	428 42 22
		For blade angle 9°	428 42 21
		For blade angle 10°	428 42 20
		For blade angle 11°	428 42 19
		For blade angle 12°	428 42 18
		For blade angle 13°	428 42 17
		For blade angle 14°	428 42 16
		For blade angle 15°	428 42 15
		For blade angle 16°	428 42 14
		For blade angle 17°	428 42 13
		For blade angle 18°	428 42 12
		For blade angle 19°	428 42 11
		For blade angle 20°	428 42 10
		For blade angle 21°	428 42 09
		For blade angle 22°	428 42 08
		For blade angle 23°	428 42 07
		For blade angle 24°	428 42 06
		For blade angle 25°	428 42 05
		For blade angle 26°	428 42 04
		For blade angle 27°	428 42 03
For blade angle 28°	428 42 02		
For blade angle 29°	428 42 01		
For blade angle 30°	428 42 00		
			<ul style="list-style-type: none"> • 4 for runner with four blades • 5 for runner with five blades
8	Screw	82 38 33	<ul style="list-style-type: none"> • 12 for runner with four blades • 15 for runner with five blades
9	Plate	509 44 01	<ul style="list-style-type: none"> • 4 for runner with four blades • 5 for runner with five blades
10	Screw	82 00 73	<ul style="list-style-type: none"> • 12 for runner with four blades • 15 for runner with five blades
11	Parallel pin	80 30 63	<ul style="list-style-type: none"> • 12 for runner with four blades • 15 for runner with five blades

Item	Denomination		Part No.	Qty.
12	Gasket		505 13 00	<ul style="list-style-type: none"> • 4 for runner with four blades • 5 for runner with five blades
13	Screw	For generator units 7X5	82 01 07	<ul style="list-style-type: none"> • 8 for runner with four blades • 10 for runner with five blades
	Lock washer		82 50 19	<ul style="list-style-type: none"> • 8 for runner with four blades • 10 for runner with five blades
14	Screw		82 00 17	2
	Washer		82 35 73	2
15	Tension pin		80 58 95	2
16	Wear ring	Bronze	464 71 00	1
		Stainless steel	464 71 01	
17	Screw	For generator units 7X5	84 34 53	1
	Washer		82 35 28	1
18	O-ring	For generator units 7X5	82 77 14	1
19	Supporting washer	For generator units 7X5	493 47 01	1
20	O-ring	For generator units 7X5	82 74 12	1
21	Locking assembly	For generator units 7X5 Torque: 35 Nm (26 ft-lb)	84 59 13	1
	Grease	For generator units 7X5	90 20 54	50 g (1.8 oz)
22	Hub	For generator units 7X5, runner with four blades	595 51 00	1
		For generator units 7X5, runner with five blades	595 51 01	
23	Oil		90 17 57	17 L (18 quarts)
24	Screw	For generator units 7X5- 8X5	82 01 13	7
	Lock washer		82 50 19	7
25	O-ring	For generator units 7X5	82 75 05	1
		For generator units 8X5	82 75 10	
		For generator units 9X5	82 75 13	
26	Turbine housing	For generator units 7X5		1
		TH1 (70°)	592 16 00	
		TH2 (63°)	592 16 02	
		TH3 (57°)	592 16 03	
		TH4 (50°)	592 16 04	
		TH0 (77°)	592 16 05	
27	Turbine housing	For generator units 8X5		1
		TH1 (70°)	592 15 00	
		TH2 (63°)	592 15 02	
		TH3 (57°)	592 15 03	
		TH4 (50°)	592 15 04	
		TH0 (77°)	592 15 05	

Item	Denomination		Part No.	Qty.
28	Plug	Torque: 80 Nm (59 ft-lb)	82 62 71	1
	O-ring		82 77 30	1
29	Ring		373 82 00	1
30	Screw	Torque: 10 Nm (7 ft-lb)	83 02 77	8
31	Mechanical seal		370 66 02	1
32	Parallel pin		80 36 16	1
33	Hub	For generator units 8X5-9X5, runner with five blades	593 33 00	1
		For generator units 8X5-9X5, runner with four blades	593 33 01	
34	Locking assembly	For generator units 8X5-9X5	84 59 14	1
	Grease	Torque: 70 Nm (52 ft-lb)	90 20 54	50 g (1.8 oz)
35	Supporting washer	For generator units 8X5-9X5	435 97 01	1
36	Screw	For generator units 8X5-9X5	84 34 15	1
37	O-ring	For generator units 8X5-9X5	82 74 21	1
38	Cover	For generator units 8X5-9X5	435 96 01	1
39	Screw	For generator units 8X5-9X5, runner with four blades	82 01 07	8
		For generator units 8X5-9X5, runner with five blades	82 01 29	5
	Lock washer	For generator units 8X5-9X5, runner with four blades	82 50 19	8
		For generator units 8X5-9X5, runner with five blades	82 50 21	5
40	Propeller hub	For generator units 8X5-9X5, runner with four blades	511 92 01	1
		For generator units 8X5-9X5, runner with five blades	511 93 01	
41	Screw		82 01 11	16
	Washer		82 40 54	16
42	Turbine blade	Opposite blades, difference in weight 50 g (1.8 oz) max		
		Bronze	476 98 02	<ul style="list-style-type: none"> • 4 for runner with four blades • 5 for runner with five blades
		Stainless steel	476 98 03	

Item	Denomination		Part No.	Qty.
43	Turbine housing	For generator units 9X5		
		TH1 (70°)	464 83 00	1
		TH2 (63°)	464 83 02	
		TH3 (57°)	464 83 03	
		TH4 (50°)	464 83 04	
		TH0 (77°)	464 83 05	
44	Screw	For generator units 9X5	82 01 08	10
	Lock washer		82 50 19	10
45	Protective plug	For generator units 9X5	82 69 40	3
46	Packing kit		395 02 01	1
47	Data plate		630 73 00	2

Xylem |'zīləm|

- 1) The tissue in plants that brings water upward from the roots
- 2) A leading global water technology company

We're a global team unified in a common purpose: creating innovative solutions to meet our world's water needs. Developing new technologies that will improve the way water is used, conserved, and re-used in the future is central to our work. We move, treat, analyze, and return water to the environment, and we help people use water efficiently, in their homes, buildings, factories and farms. In more than 150 countries, we have strong, long-standing relationships with customers who know us for our powerful combination of leading product brands and applications expertise, backed by a legacy of innovation.

For more information on how Xylem can help you, go to xyleminc.com

Refer to www.xylemwatersolutions.com/contacts/ for contact details of your local sales and service representative.



Xylem Water Solutions Global
Services AB
361 80 Emmaboda
Sweden
Tel: +46-471-24 70 00
Fax: +46-471-24 47 01
<http://tpi.xyleminc.com>

Visit our Web site for the latest version of this document and more information

The original instruction is in English. All non-English instructions are translations of the original instruction.

© 2014 Xylem Inc