

Hydraulic Unit P7055

Table of Contents

Introduction	2
Purpose of this manual.....	2
Disclaimer.....	2
Data for ordering spare parts.....	2
Specially approved products.....	2
Qualification of personnel.....	2
Dimensional accuracy inspection.....	2
Product Description	3
The data plates.....	3
Product denomination.....	4
Hydraulic Unit	6
P7055.....	6
Seals.....	8
Seal 337 79 11.....	8
Seal 384 03 10.....	9
Accessories	11
Zinc anodes.....	11
Technical Reference	13
Propeller unit.....	13

Introduction

Purpose of this manual

The purpose of this manual is to provide necessary information on spare parts and accessories order.

Disclaimer

Always use genuine Flygt parts. The use of other spare parts or accessories can invalidate any claims for warranty or compensation. Xylem does not take any responsibility for damages that are caused by the use of non-original parts. For more information, contact your local sales and service representative.

Data for ordering spare parts

The following information is needed for spare part orders:

- Serial number of the product
- Part number
- Quantity of bulk material, see * in tables

Specially approved products

Qualification of personnel

Only Xylem or Xylem-authorized service personnel may undertake repair work on Ex-approved products.

Dimensional accuracy inspection

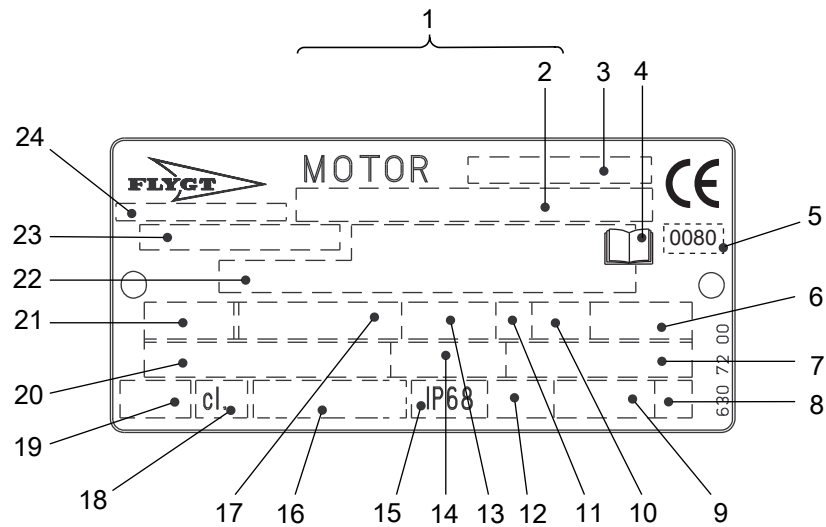
Spare parts marked with (Ex) after the part number are subject to dimensional accuracy inspection.

Product Description

The data plates

The data plates include key product specifications.

Drive unit

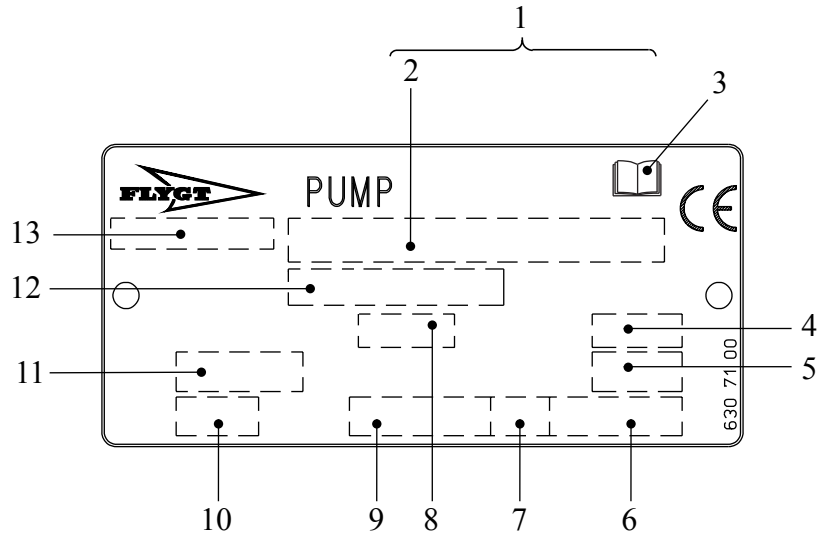


1. Serial number
2. Product code and number
3. Motor denomination
4. Read installation manual
5. Notified body, only for EN-approved Ex products
6. Maximum ambient temperature
7. Power factor
8. Locked rotor code letter
9. Product weight
10. Duty factor
11. Duty class
12. Maximum submergence
13. Rated speed
14. Rated current
15. Degree of protection
16. International standard
17. Rated shaft power
18. Thermal class
19. Thermal protection
20. Rated voltage
21. Phase; Type of current; Frequency
22. Additional information
23. Product number
24. Country of origin

Figure 1: The drive unit plate valid from 990101

WS006226A

Hydraulic unit



WS006230A

1. Serial number
2. Product code and number
3. Read installation manual
4. Impeller diameter
5. Propeller blade angle
6. Product weight
7. Direction of rotation: L=left, R=right
8. Impeller or Propeller code
9. Rated speed
10. Pressure class
11. Column diameter or Inlet and outlet diameter
12. Product number
13. Country of origin

Figure 2: The hydraulic unit plate

Product denomination

Reading instruction

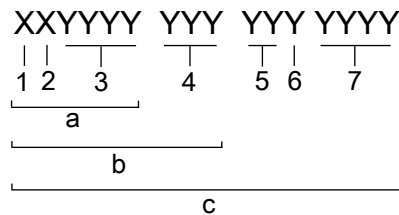
In this section, code characters are illustrated accordingly:

X = letter

Y = digit

The different types of codes are marked up with a, b and c. Code parameters are marked up with numbers.

Codes and parameters



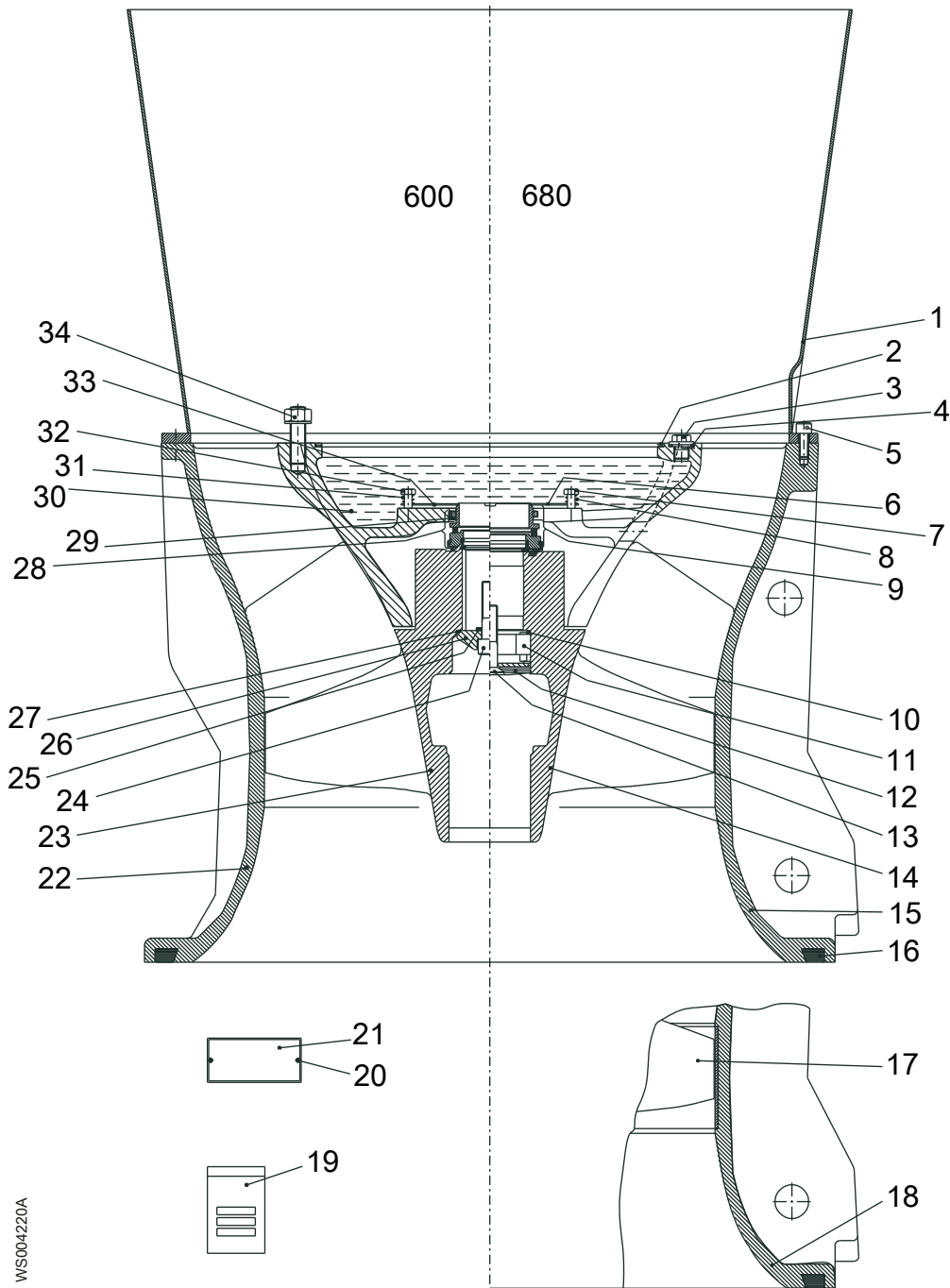
WS004060B

Type of Callout	Number	Indication
Type of code	a	Sales denomination
	b	Product code
	c	Serial number

Type of Callout	Number	Indication
Parameter	1	Hydraulic end
	2	Type of installation
	3	Sales code
	4	Drive unit
	5	Production year
	6	Production cycle
	7	Running number

Hydraulic Unit

P7055



W/S004220A

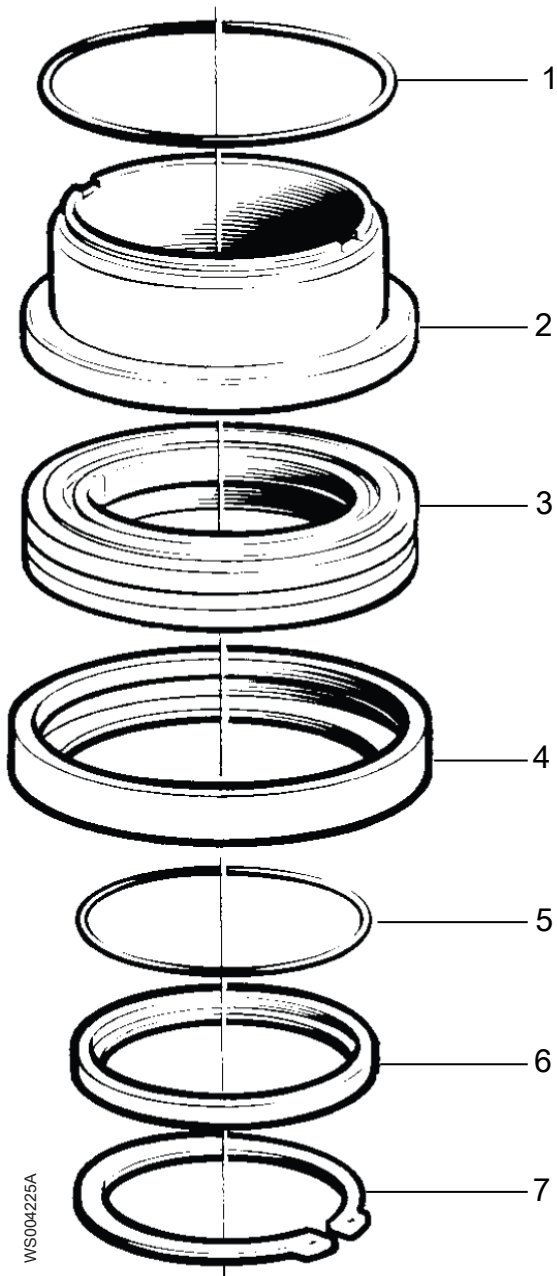
600 Drive unit 600
 680 Drive unit 680

Item	Denomination	Part No.	Qty.
1	Outlet cone	592 97 00	1
2	O-ring	339.3x5.7 82 75 05	1

Item	Denomination		Part No.	Qty.
3	Inspection screw	(80 Nm)	428 22 01	1
4	O-ring	19.2x3.0	82 73 90	2
5	Screw	M10x20	83 03 23	8
6	Washer	680	319 20 00	1
7	Screw		306 73 00	6
8	Compression spring		302 21 00	6
9	Mechanical seal, see Seals (page 8)		337 79 11	1
10	Bearing grease	Minimum delivery quantity 1 kg (2.2 lbs)	90 20 54	50 g
11	Locking assembly	Ø55xØ85 (35 Nm)	84 59 12	1
12	Washer		341 86 00	1
13	Screw	M16x70 (50 Nm)	82 13 95	1
14, 23	Propeller hub, see Propeller unit (page 13)		464 31 XX	1
15	Pump housing	Drive unit 680	549 70 01	1
16	G-ring		82 83 47	1
17	Propeller (epoxy coated), see Propeller unit (page 13)		557 39 XX	1
18	Pump housing unit	Drive unit 680, 6-pole 50 Hz, 8-pole 60 Hz	643 81 00	1
19	Gasket set		388 08 03	1
20	Screw	4x5	82 20 88	4
21	Data plate		630 71 01	1
22	Pump housing	Drive unit 600	549 70 00	1
24	Screw	M16x60 (150 Nm)	82 01 09	1
25	Gasket		384 79 00	1
26	Washer		384 61 00	1
27	O-ring	69.2x5.7	82 74 65	1
28	Mechanical seal, see Seals (page 8)		384 03 10	1
29	Wear protection		382 83 00	1
30	Oil	Minimum delivery quantity 220 liter (58 US gal)	90 17 52	4.5 liter
31	Compression spring		302 21 00	6
32	Screw		306 73 00	6
33	Washer	600	319 20 01	1
34	Washer	BRB 17x30	82 35 23	9
	Nut	M16	82 23 61	7
	Stud	PS16x65	80 95 51	7

Seals

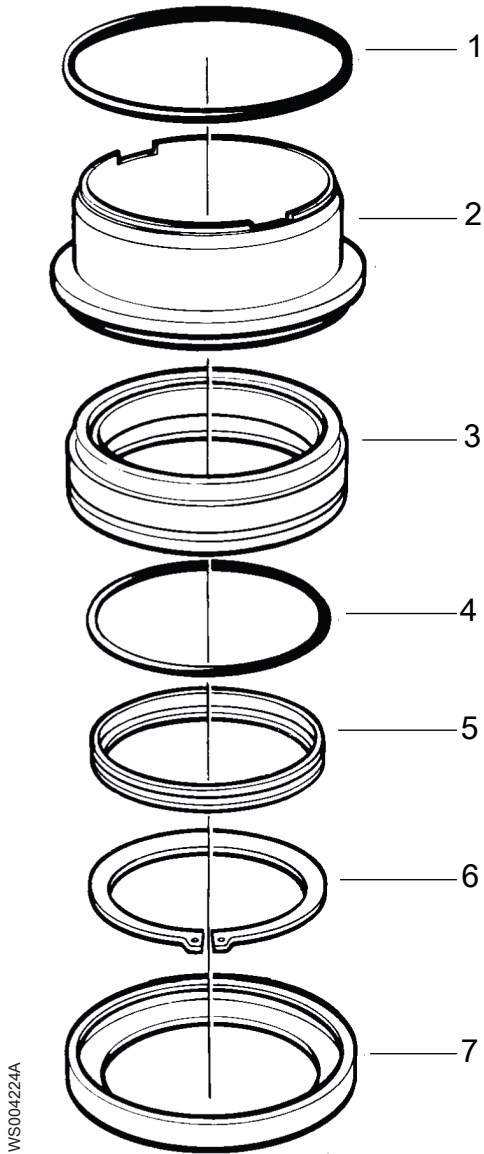
Seal 337 79 11



Item	Denomination		Part No.	Qty.
1	O-ring	89.1x5.7 mm	82 81 55	1
2	Seal ring, stationary	Not delivered separately	-	-
3	Seal ring, rotating	Not delivered separately	-	-
4	Seal ring		574 26 00	1
5	O-ring	74.5x3 mm	82 81 54	1
6	Ring	Not delivered separately	-	-

Item	Denomination	Part No.	Qty.
7	Circlip	SgA 70	1

Seal 384 03 10



WS004224A

Item	Denomination	Part No.	Qty.	
1	O-ring	69.2x5.7 mm	82 80 94	1
2	Seal ring, stationary	Not delivered separately	-	-
3	Seal ring, rotating	Not delivered separately	-	-
4	O-ring	54.5x3.0 mm	82 75 19	1
5	Ring		384 06 02	1
6	Retaining ring		82 61 11	1

Hydraulic Unit

Item	Denomination	Part No.	Qty.
7	Seal ring	Before cycle 2013-3 (28 March 2013)	2
		From cycle 2013-3 (28 March 2013)	

Accessories

Zinc anodes

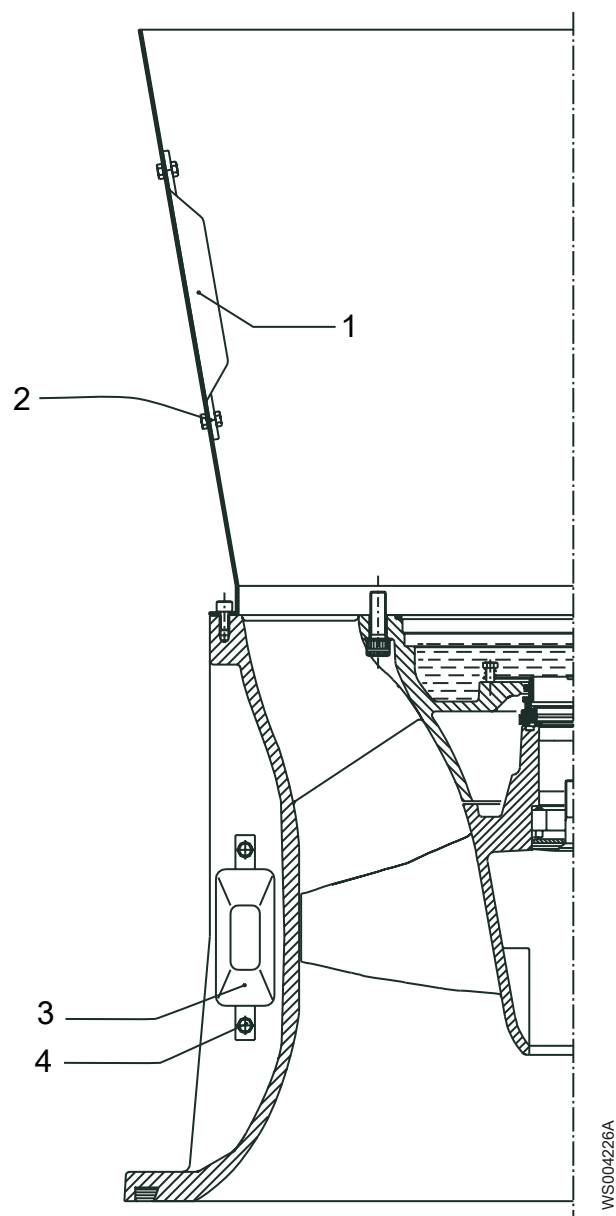


Table 1: Zinc anode set: 454 22 23

Item ¹	Denomination	Part No.	Qty.
1	Anode	84 55 73	8
2	Screw	M8x16	81 41 04
	Washer	BRB 8,4x16	82 35 16
	Nut	M8	82 23 57
3	Anode	84 55 71	4

¹ No items are delivered separately.

Accessories

Item ¹	Denomination		Part No.	Qty.
4	Screw	M5x30	81 93 82	4
	Nut	M5	82 23 55	4

¹ No items are delivered separately.

Technical Reference

Propeller unit

Table 2: Propeller hub

Part number	Blade angle	Drive unit
464 31 00	9°	600
464 31 01	9°	680
464 31 02	13°	600
464 31 03	13°	680
464 31 04	18°	680
464 31 05	18°	600

Table 3: Propeller, epoxy coated

Part number	Blade angle	Drive unit
557 39 01	9°	680, 6-pole 50 Hz, 8-pole 60 Hz
557 39 02	13°	
557 39 03	18°	

Xylem |'zīləm|

- 1) The tissue in plants that brings water upward from the roots
- 2) A leading global water technology company

We're 12,500 people unified in a common purpose: creating innovative solutions to meet our world's water needs. Developing new technologies that will improve the way water is used, conserved, and re-used in the future is central to our work. We move, treat, analyze, and return water to the environment, and we help people use water efficiently, in their homes, buildings, factories and farms. In more than 150 countries, we have strong, long-standing relationships with customers who know us for our powerful combination of leading product brands and applications expertise, backed by a legacy of innovation.

For more information on how Xylem can help you, go to xylem.com



Xylem Water Solutions Manufacturing
AB
361 80 Emmaboda
Sweden
Tel. +46-471-24 70 00
Fax +46-471-24 74 01
<http://tpi.xylem.com>

Visit our Web site for the latest version of this document and more information

The original instruction is in English. All non-English instructions are translations of the original instruction.

© 2012 Xylem Inc.